

—Standard Valves—

4062-A
Valve

4062-A VALVE

TRIODE.

SPECIFICATION.

Cathode.

Thoriated Tungsten filament.
Constant voltage type.

Base.

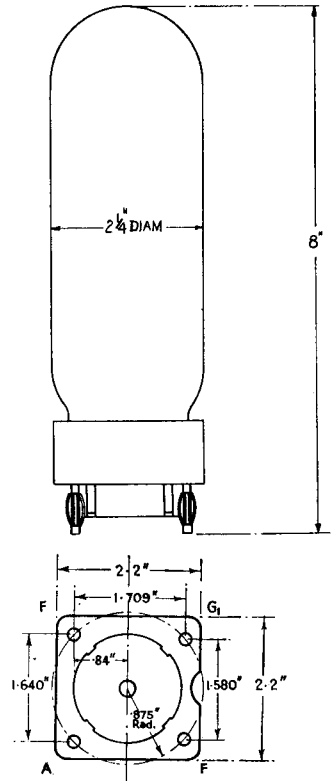
Special 4-pin low loss.

Dimensions.

Overall length 8" (20.3 cms.)
Bulb diameter $2\frac{1}{4}$ " (5.7 cms.)
Net weight 0.5 lbs. (230 gms.)

Constants.

Filament voltage 12 volts
Nominal filament current 1.85 amps.
Impedance 22,000 ohms
Amplification factor 22
Grid-anode capacity 13 $\mu\mu\text{F}$.
Anode-filament capacity 5.3 $\mu\mu\text{F}$.
Grid-filament capacity 6 $\mu\mu\text{F}$.



LIMITING CONDITIONS FOR SAFE OPERATION.

Maximum direct anode voltage	2,000 volts
Maximum direct anode current	0.123 amps.
Maximum anode dissipation	75 watts
Maximum direct grid current	0.030 amps.
Maximum frequency for above ratings	15 Mc.

V.4062-A.1
Nov. 1937

—Standard Valves—

TYPICAL OPERATING CONDITIONS.

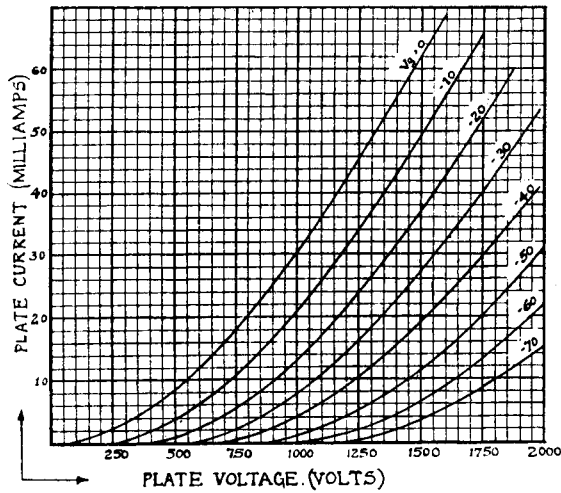
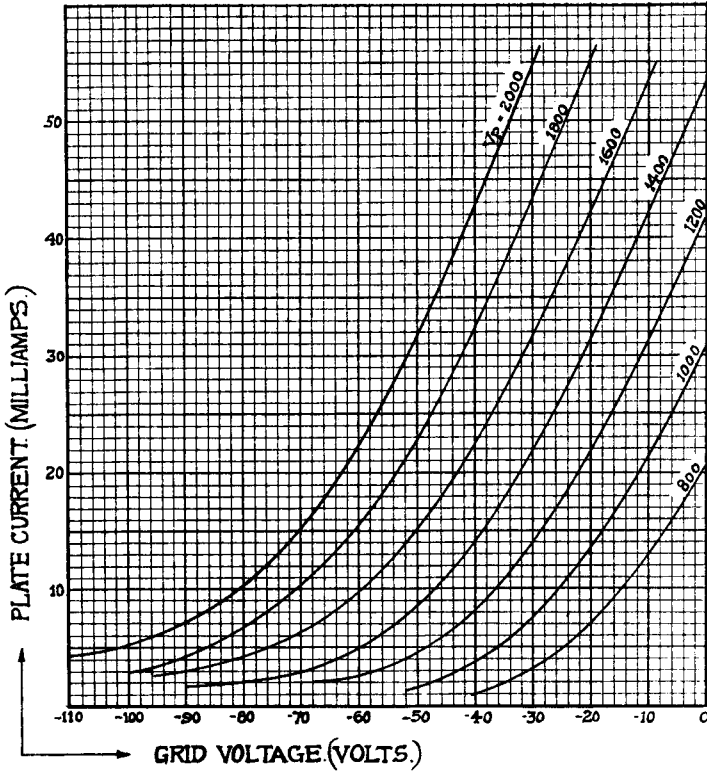
	Class B A.F. Amp. and Mod. For balanced 2 valve circuit
Direct anode voltage	2,000 volts
Grid bias	—50 to —60 volts
Anode current per valve—zero signal	0.014 amps.
Anode current per valve—maximum signal	0.070 amps.
Anode dissipation	65 watts
Load resistance—anode to anode	25,000 ohms
Maximum output—2 valves	150 watts

RADIO FREQUENCY OPERATION.

	Class B Telephony	Class C Telephony	Class C Telegraphy
	Modulated Carrier applied to grid	Subject to anode modulation	Unmodulated
Direct anode voltage	2,000	1,500	2,000 volts
Direct anode current	0.056	0.075	0.081 amps.
Grid bias	—95	—200	—300 to —500 volts
Anode dissipation	75	37.5	55 watts
Carrier output	37.5	75	110 watts

—Standard Valves—

4062-A
Valve



V.4062-A.2
Nov. 1937

PRINTED IN
ENGLAND